

Table of contents

Chapter I – Setting Up	Page 3
Introduction	Page 3
1. Unpacking my printer	Page 3
2. Description of the printer and its functions	Page 4
3. Installing my printer	Page 5
a. Installation of the interface and the supply cable	Page 5
b. Installation of the ribbon	Page 6
c. Loading the cards	Page 7
Chapter II – Printing	Page 9
1. Installing my printer driver	Page 9
2. Configuring the printing settings	Page 10
3. My first cards	Page 12
Chapter III – Cleaning	Page 15
1. Automatic printer cleaning	Page 15
2. Cleaning of the print head	Page 17
3. Maintening the cleaning roller	Page 18
Chapter IV – Assistance	Page 19
1. Printer Control Panel	Page 19
2. Troubleshooting	Page 20
3. Customer Assistance	Page 23
Chapter V – Specifications	Page 24
Chapter VI – Evolis Warranty	Page 25
1. Extent of the warranty	Page 25
2. After sales service in the warranty period	Page 26
3. After sales service outside the warranty period	Page 26
Chapter VII – Supplies	Page 27
Appendix A – Magnetic Encoding	Page 29
Appendix B – Smart Card Contact Station	Page 33

1. Chapter 1

Setting up

Introduction

We congratulate you on having made the New Pebble printer your choice !

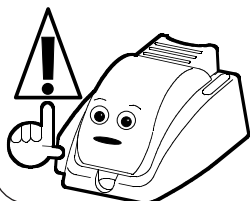
The New Pebble printer is the ideal solution for all your printing of plastic cards in fields as extensive and varied as identification, access control, management of visitors, members, etc.

This product, comes with a wide range of assistance services, from the Evolis company and its partners, specially selected to help you in an efficient and professional manner.

1. Unpacking my printer

Verify whether the following parts have been supplied with your printer :

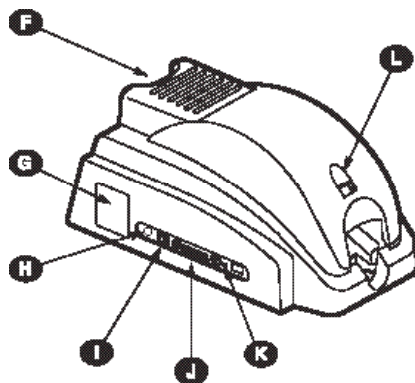
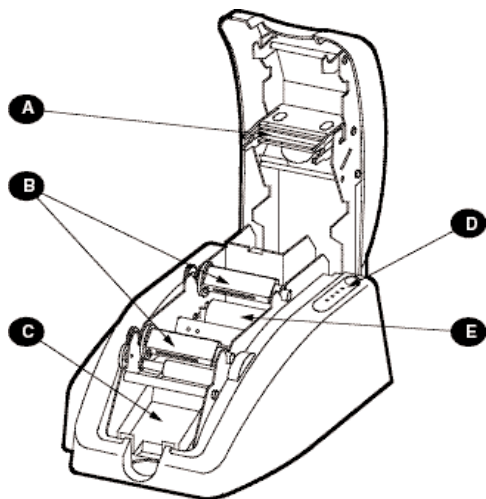
- Power supply and power supply cable
- Printer interface cable
- User's guide
- Evolis CD Software
- Cleaning Case*



IMPORTANT !

The printer must be placed on a level surface, in a dust free environment. It is essential to be able to access the printer from all sides for its installation.

2. Description of the printer and its functions



Description of the printer :

- A** Thermal print head
- B** Ribbon Spindles
- C** Card Output Hopper
- D** Control Panel
- E** Cleaning Roller
- F** Card Feeder
- G** Identification label
- H** Electrical connector
- I** Switch
- J** Parallel Port
- K** USB Port (optional)
- L** Cover lever

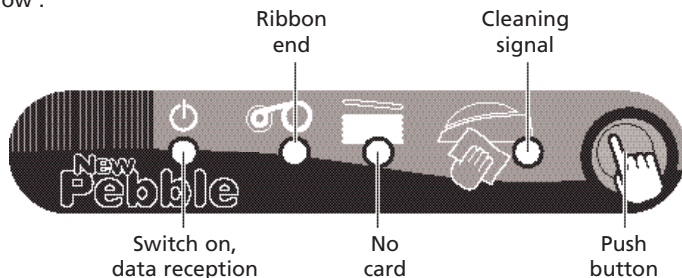
Functions

- For printing cards.
- For installing the ribbon in the printer.
- Collects the cards ejected from the printer.
- Shows the printer activity.
- Removes any dust before printing the card.
- Holds the cards to be printed.
- Gives the printer model and serial number.
- For connecting the printer to the power supply.
- On/Off switch.
- Enables data to be received and sent "from" and "to" the computer.
- Enables data to be received and sent "from" and "to" the computer.
- Allows the printer cover to be opened and closed.

Printer control Panel

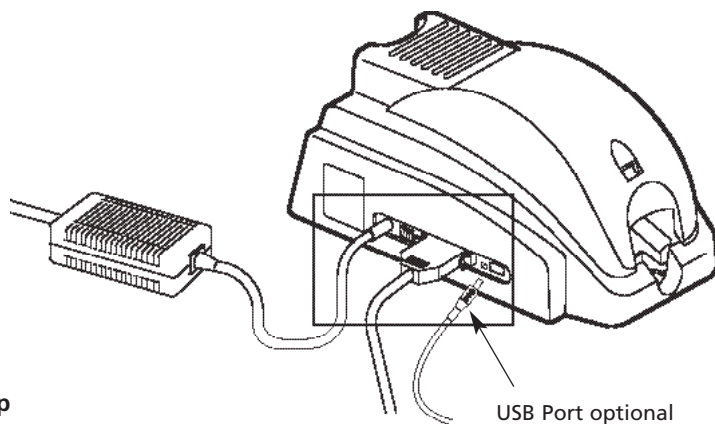
There is a Control Panel on the upper part of the printer.

Four warning lights are associated with symbols showing the activity during printing. These lights show :

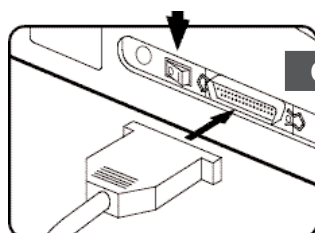


3. Installing my printer

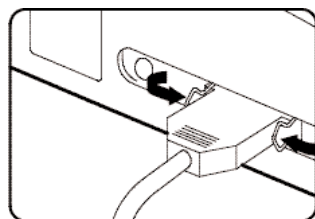
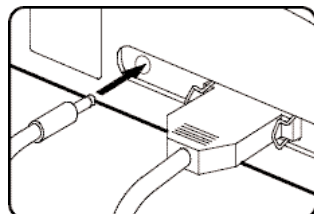
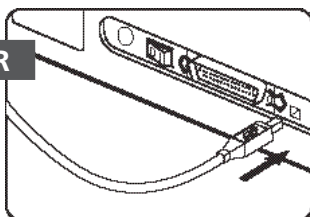
a) Installation of the interface and supply cables:



Ensure that the p switch is in position 0 (switched off).



OR

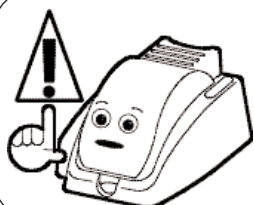


1. Connect the supplied parallel cable to your printer and fix it by folding down the two metal clips on the cable connector as shown.

2. If you have a printer with a USB port, connect the supplied USB cable to your printer as shown.

3. Connect the other end of the cable to the appropriate port of your computer.

4. Connect the power cable to the supply then plug in the power cable connector to the printer. Then connect the end of the power cable to an earthed mains power point.

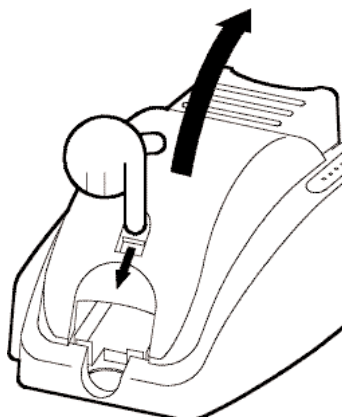


IMPORTANT !

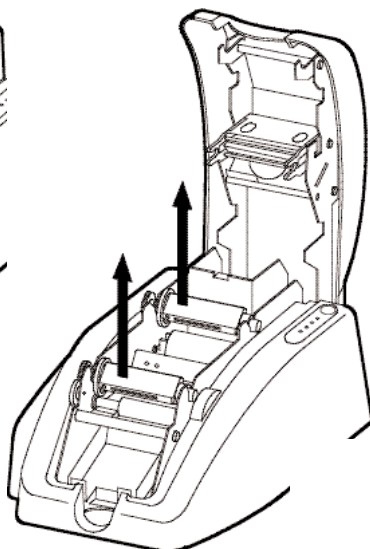
To disconnect this product, pull the plug out of the socket, which should remain easily accessible.

This product must be connected to an electrical installation correctly protected and equipped with a protective earth.

b) Installation of the ribbon

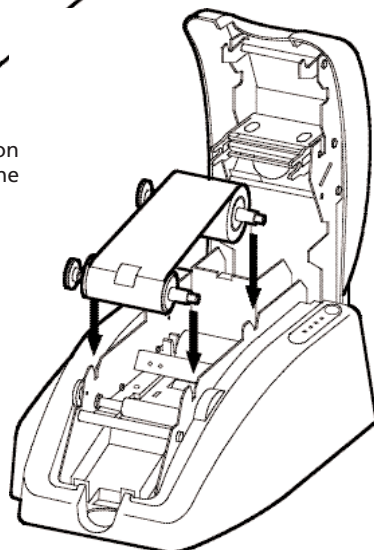
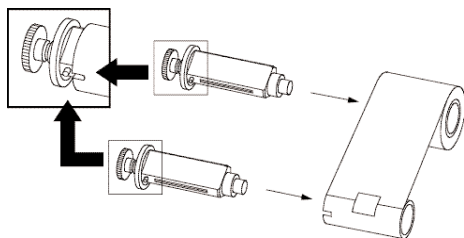


1. Open the printer cover by pressing on the opening lever, then pivoting it.

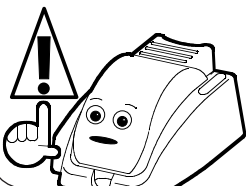


2. Remove the two ribbon spindles that are in the printer.

3. Insert the two spindles in the ribbon cores as shown.



4. Replace the spindles with ribbon in the printer as shown.
5. Close the printer cover.

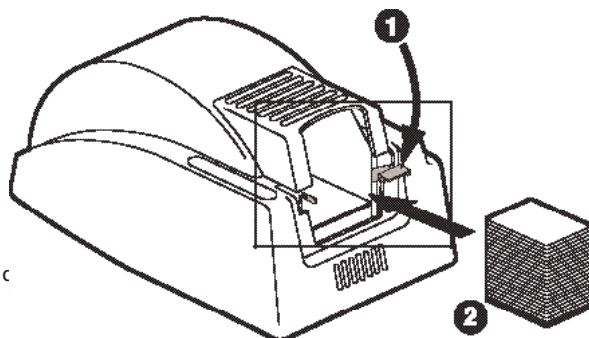


WARNING

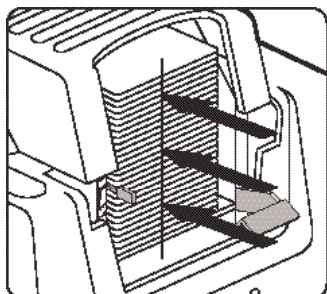
The ribbon must be correctly installed for the printer to function. Only use Evolis printer ribbons. Evolis accepts no responsibility if the printer is damaged following the use of an unapproved ribbon.

The ribbon is automatically positioned each time the cover is closed.

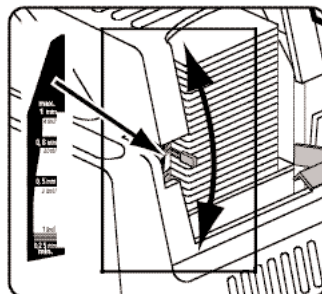
c) Loading the cards



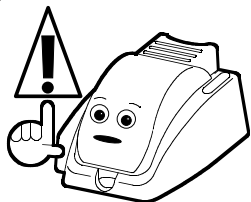
1. Push and maintain the lever as shown. insert 100 cards (0.76mm – 30mil) in the feeder.



2. Ensure that the stack of cards is correctly aligned with the edge of the feeder.



3. Move up or down the handle as shown to adjust the card thickness (the factory setting for card thickness is 0.76mm – 30mil).



IMPORTANT !

Advice about selecting cards :

- Only use the types of card appearing in the Specifications page of this manual
- Do not touch the printable surface of the cards ; the print quality depends upon this
- Do not use damaged or folded cards or ones with an embossed texture.
- Always store the blank cards in a clean, dust free location

Card thickness :

- The Evolis printer accepts cards from 0.25mm (10mil) to 1mm (40mil) thick.

2 Chapter 2

Printing

1. Installing my printer driver

Before using your New Pebble printer, you must install its printer driver.

Reminder : Evolis Pebble driver and printers operate under Windows 95/98/2000, Me, NT 4.0 and Xp.



NOTE !

The Evolis CD Software includes a utility which automates the installation of the printer driver. This utility installs the driver that is suitable for your configuration, in the Windows operating language.

Printer driver installation procedure

1. Start Windows, ensuring that no other Windows application is running.
2. Place the CD in the CD Rom drive of your computer. The program runs automatically.
3. Click on the option **Pebble Printer driver installation** from the menu. The installation of the driver runs automatically.

However, if the installation program does not run automatically, proceed as follows :

1. Start Windows, ensuring that no other application is running.
2. Insert the Starter CD in the CD ROM drive
3. Click on **Start** in the Windows, select **Settings** then **Printers**.
4. Double-click on the **Add Printer** icon.
5. Click on **Next** until the list of makers is displayed.
6. Click on Have Disk then on **Install from...**
Select the drive letter corresponding to your CD ROM drive
Click on **Browse**.
7. In the tree diagram of the CD ROM drive, double-click on the **Drivers directory**
8. **Double-click on the directory** corresponding to your Windows environment.
9. Select the file " evolis.inf ".
10. Click on **OK**. The name of the printer manager appears.
11. Continue the installation by following the instructions displayed on the screen.

Note that the installation of a printer driver under NT may be subject to authorisation by the administrator as a function of "login system"

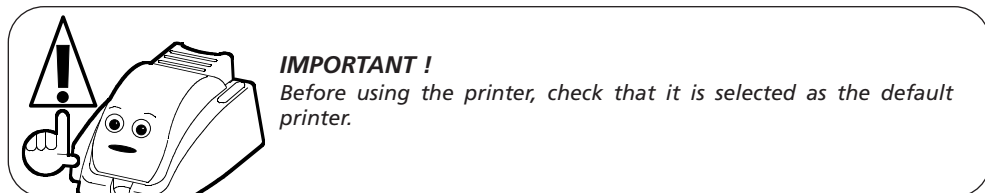
2. Configuring the printing settings

Your printer has numerous setting functions in the print manager.

These printing settings are accessible :

- from **Start** in the Windows bar, **Settings** then **Printers**
 1. Select **Evolis Pebble**
 2. In **File**, in the bar of the Windows window menus, select **Properties** (for Windows 95/98/2000) or **Default Document** (for Windows NT 4.0).
- From your Windows software.
 - In **File**, from the menu bar of your application, select **Print** or **Printing Configuration**.

Note that the procedures vary according to the type of software used and the Operating System (95/98 /2000 or NT)



Default Evolis Pebble printer

To select the New Pebble printer as the default, proceed as follows :

1. Click on **Start**, in the Windows bar, select **Settings** then **Printers**.
2. Click on the New Pebble Printer icon then point to **File** in the menu bar.
3. Select **Set as Default** and close the window.

Evolis Pebble Properties

Different dialog boxes allow you :

- to carry out adjustments such as orientation and print quality.
- to manage the different printing and use modes of the appropriate ribbons.
- to select the printer port.
- to activate the various printer control and maintenance functions.

On line help

A help file guides you in the use of each of the print management settings according to the various printing modes and criteria entered. In order to familiarize yourself with these various settings, we recommend that you consult this help before making any changes.

"Characteristics" Dialog Box

This dialog box enables the selection of :

1. the type of ribbon
2. the orientation of the printing (Portrait or Landscape)
3. the number of copies of the card

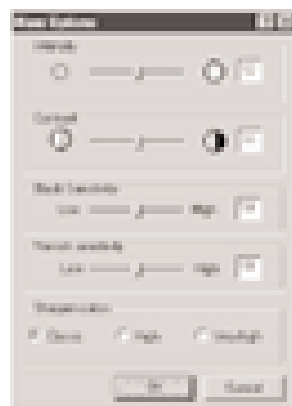


"Graphic" Dialog Box

In "5 Panel ribbon" mode enables the management of :

1. the use of the black panel when "5 Panel ribbon" has been previously selected as the ribbon type
2. the removal of the gloss panel of a colour ribbon as a function of a deliberate choice or of a type of card requiring a covering reserve.

More options enables some print settings with a "5 Panel ribbon" film ribbon to be influenced





"Tools" Dialog Box

This dialog box allows support and 1st level maintenance for your printer. We recommend that you print a "Test Card" at the first use and keep it. This card records the information likely to be required at the time of an after sales service call.

"General" Dialog Box

This dialog box is a Windows information window. It enables a test page to be printed for the sole purpose of checking the communication between the computer and the printer.

"Details" Dialog Box

This dialog box is a Windows control window enabling the printer port to be selected and to check the use of the appropriate printer driver. The displayed settings must only be changed by an experienced person.

"Color Management" Dialog Box

This dialog box enables the printing to be associated with a defined colour management profile.

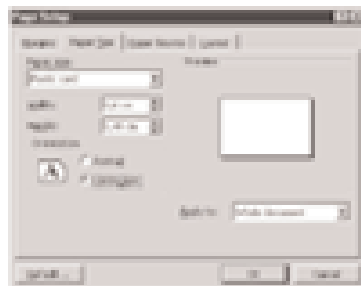
3. My first cards

A large number of Windows applications allow document printing (Word – Access – Excel, for example). In order to familiarize you with the page setup of a card and the printer settings for it, we offer you the following example.

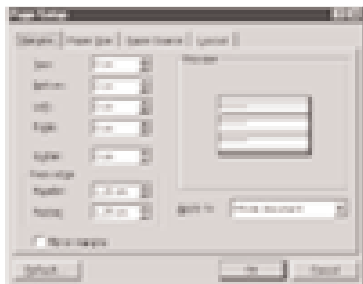
Under Microsoft Word

After having previously registered the Evolis printer as the default

1. Run Word and in **File** click on **Page Setup**.
2. The dialog box offers :
 - **"Paper Format "** select **Card**
 - **"Orientation"** select **Landscape**

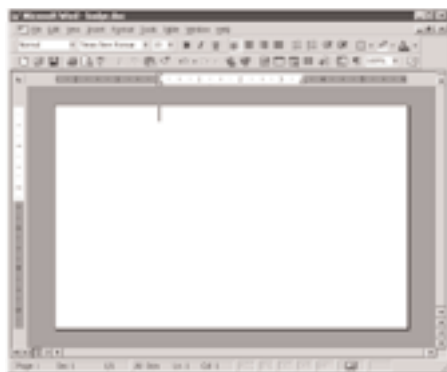


¹ See paragraph 2 of this chapter



3. The "Margins" dialog box offers "printing margins" • Select 0 cm

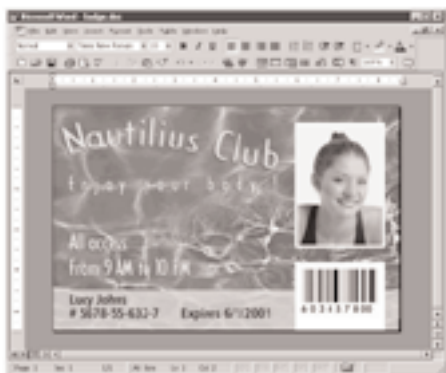
Your Word window should now appear like this



You are ready to personalize your card by introducing the various composition elements :

- Logo and Illustration
- Identity photo
- Permanent texts and Variables (Identity)
- Etc..

Example :

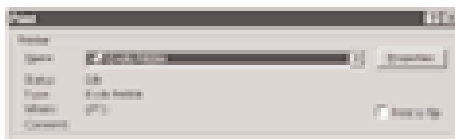


Note that this example does not claim to introduce the operator to the Word application. Its only objective is to establish a relationship between the graphics of a card and the New Pebble Printer management settings necessary for printing it.

New Pebble Card Printer Driver Settings

To access the settings from the Word window :

1. In the menu bar point to **File** and select **"Print"**
2. The dialog box shows you that the Evolis printer is selected. Then click on **Properties**.
3. The dialog box of the **Evolis Pebble** driver opens². Do not forget to refer to the help for each dialogue box



The print settings for this graphic example are :

1. **"Characteristics" Dialog Box** select :
 - 5 Panel ribbon
 - Landscape orientation
 - Copy (number)
2. **"Graphic" Dialog Box** select :
 - **Black Panel** : "Only the Black Characters"
 - **Varnish panel** : "Full varnish"
3. Click on **Apply**, if you change a setting, then on **OK** to successively close each dialog box.
4. On returning to the main window click on **OK** to start printing.

² Go over paragraph 2 again if necessary

3

Chapter 3

Cleaning

Protect the validity of your Guarantee!

Not observing the cleaning procedures contained in this chapter can invalidate your printer's guarantee. The Evolis company accepts no responsibility if the printer is used in an unauthorised cleaning condition.

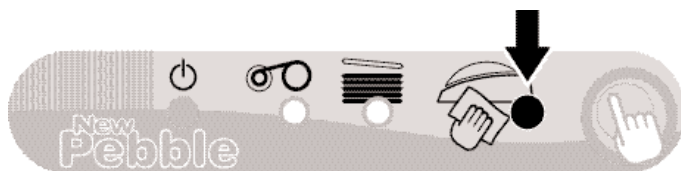
The following cleaning articles are available from Evolis :

- ❖ Pre-saturated cleaning cards with 99% isopropyl alcohol
- ❖ Cleaning swabs with 99% isopropyl alcohol base
- ❖ Pre-saturated cleaning cloths

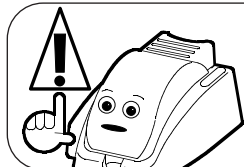
1. Automatic Printer Cleaning

The New Pebble printer is fitted with an AutoClean alarm system, which is activated every inserted 1000 cards.

When the printer requires cleaning, the warning light switches on, as follows :



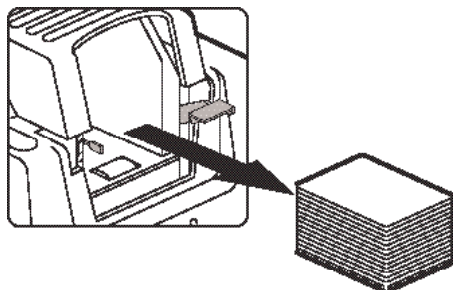
This simple cleaning system requires the use of specially pre-saturated cleaning cards specially designed for the printer. A cleaning kit with samples of these cards is delivered with your package. Repeatedly running the card through inside the printer cleans the card transport rollers, the dust removing roller and the print head.



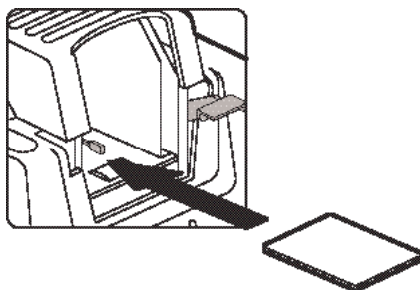
IMPORTANT !

The printer will continue to function even though the automatic cleaning alarm is activated.

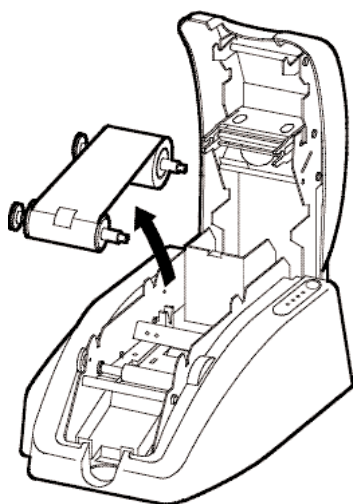
To start auto-cleaning the printer:



from the feeder.



cleaning card and place it in the feeder.



3. Remove the ribbon from the printer then close the cover. Press the control panel push button for a few seconds. The automatic cleaning starts.



WARNING !

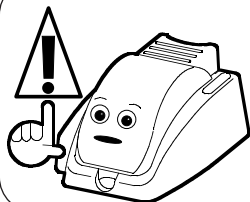
After a cleaning cycle, wait 2 minutes for the cleaning fluid to evaporate completely before using the printer.



NOTE !

It is also possible to start an automatic cleaning sequence without waiting for the printer light signal. This is done by pressing on the Control Panel push button for a few seconds. In this case, first repeat operations 1, 2 and 3 quoted above.

2. Print head maintenance

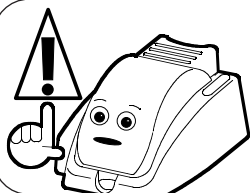


WARNING !

The print head is a fragile component of your printer. To avoid damaging it, never put the print head in contact with pointed and/or metal objects. Also avoid touching the print head surface with the fingers. Changed print quality or even permanent degradation of the print head could result.

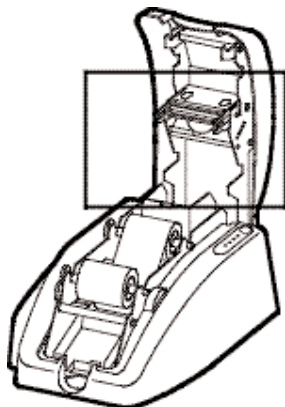
The print head is cleaned during the automatic cleaning of your printer (see previous section). However, in order to preserve the original print quality and to reduce problems caused by an excess of ink on the print head surface, it is recommended that you clean it regularly (about every 1000 cards) using the swab supplied with your printer.

To carry out print head maintenance :

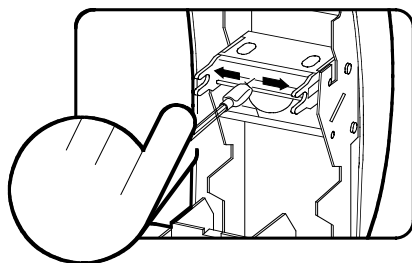


IMPORTANT !

Before cleaning the print head, unplug the printer from the power supply.



1. Open the printer cover and locate the print head.
2. Take the swab from the Cleaning Case supplied with your printer.



3. Gently rub the swab from left to right on the print head for a few seconds.



WARNING !

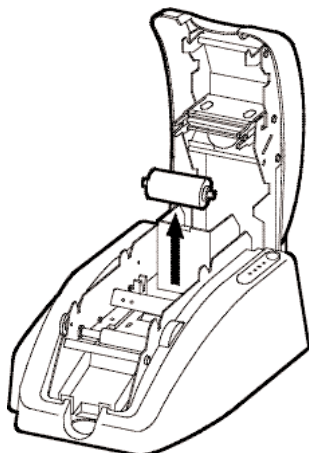
After a cleaning cycle, wait 2 minutes for the cleaning fluid to evaporate completely before using the printer.

3. Maintaining the cleaning roller

Your New Pebble printer has a cleaning roller. Its adhesive surface retains the dust when cards are running through.

Although the cleaning of this roller is carried out during the automatic cleaning of the printer, it is nevertheless recommended that you clean it regularly and simply with a cloth supplied with the cleaning case in order to ensure that the card surface is perfectly clean.

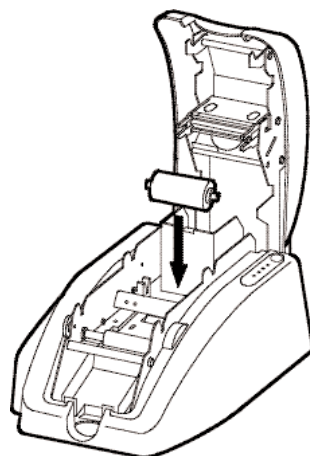
To carry out the maintenance of the cleaning roller :



1. Open the printer cover.
2. Locate the roller and remove it from the printer



3. Clean the roller with a cloth from your cleaning case. Remove all the dust by rubbing lightly with the cloth over the whole surface of the roller. Wait for 2 minutes for the cleaning fluid to evaporate completely. If necessary, the cleaning roller can be cleaned under (cold) running water then dried with a fluff-free cloth or with a neutral gas dust-removing spray



4. Once dry replace the roller in the printer then close the cover.

4. Chapter 4 Assistance

For the best possible satisfaction of customer requirements, Evolis provides a complete range of technical assistance services.


(See section 3 – Customer Assistance)

1. Printer Control Panel

Refer to the following conditions to determine the status or the current activity of your printer. The control panel warning lights are shown in one of the following conditions:



SWITCHED ON ● SWITCHED OFF ○

FLASHING 



PRINTER READY



PROCESSING



END OF RIBBON



NO CARD



INTERNAL PRINTER PROBLEM



AUTO-CLEANING

The push button returns the control panel to its original status after processing the following situations:

- **NO CARD or INTERNAL PRINTER PROBLEM**

also enables:

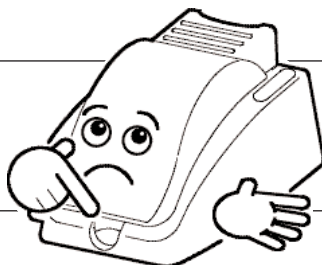
- The printing of a test card
(see *this Chapter*)
- The running of an AUTOMATIC CLEANING cycle
(See *Chapter 3 –Cleaning*)



2. Troubleshooting

The information below will help you to resolve possible problems that occur when you are using your printer. If, in spite of this information, you are not able to resolve the problem, contact your Evolis retailer or an approved Evolis service provider.

○ Nothing prints



1. Check the power supply

Ensure that:

- The power supply cable is correctly connected to the printer and to a mains plug which is functioning.
- The printer is switched on (position 1). The green control panel warning light must be on.

2. Check the card feeder and the card in the printer

- Check the presence of cards in the feeder.
- Check that no jamming has occurred.
See page 22 of this chapter for how to cure jamming.

3. Check the ribbon

- Check that the ribbon has been correctly installed and that the printer cover is properly closed.

4. Print a test card

- Ensure that there is a ribbon in the printer.
- Switch off the printer.
- Press the control panel push button
- Switch on the printer again, whilst holding the pressure on the push button
- The green warning light comes on
- Release the button as soon as the green warning light flashes
If the test card prints, the problem is not in the printer.

5. Check the printer interface cable

- Check the connection to the computer and to the printer.
- Test with another cable of the same type.

6. Check the printer driver

- Check the presence of the New Pebble Printer driver in the Windows settings

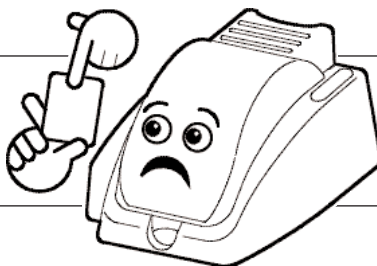
7. Check the computer printing settings

- Ensure that the New Pebble printer is selected as default printer.
See "Configuring the printing settings" of the Printing chapter page 10.

8. Check the network configuration

If your printer is connected to a network, check that it is correctly configured in the network environment. See the documentation relative to your network for more information.

○ **A blank card is ejected from the printer**



1. Check the ribbon

- Check that the ribbon has not run out or cut. Replace or reinstall the ribbon, if necessary.

2. Check the printer interface cable

- Check the connection to the computer and to the printer.
- Test with another cable of the same type.

3. Elements of the print head may be damaged.

- Print a test card (See above)

If the test card does not print, contact your retailer for a replacement print head.

○ **The print quality is not satisfactory**



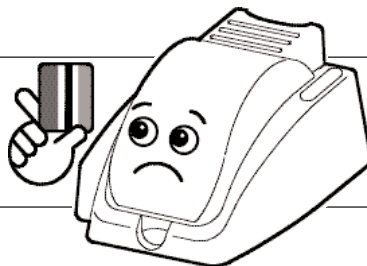
1. The contrast and luminosity settings must be modified

- Lack of contrast and color saturation; increase the contrast and luminosity settings in the printer driver configuration.

2. The type of card used may be inappropriate

- Check if the type of card used corresponds to the required specifications See chapter "Specifications" page 24 for more information.
- The texture of the card is rough or not perfectly flat.
- Print test with another type of card.

○ Partial or incorrect printing



1. Check the settings defined for the printing

- Check that no element of your page setup is outside the print margins
- Check the orientation of the selected document in the printer driver configuration (Landscape or Portrait)

2. Check the printer interface cable

- If unusual characters print, check that you are using the interface cable appropriate to your printer.
- Check the connection to the computer and to the printer.
- Test with another cable of the same type.

3. Check the cleanliness of the printer

- Clean the inside of the printer, the dust-removing roller and the print head if necessary.
See chapter "Cleaning " page 15.

4. Check the cleanliness of the cards

- Check that these are stored in a dust-free location.

5. Check the cleanliness of the print head

- See the procedure for cleaning the print head in the " Cleaning " chapter.

6. Check the ribbon

- Its location in the printer
- Its correct winding path

7. Check the print head

- If horizontal (blank) lines appear on the card, some print head elements may be clogged or damaged.
- Clean the print head
See the " Cleaning " chapter for more information.
- If the problem is not resolved after cleaning, contact your retailer for a replacement print head.

○ There is a card jam in the printer

Remove the cards as follows :

1. Open the printer cover and remove the ribbon.
2. Remove the card by pushing it by hand towards the printer outlet. If there are several cards, always push the top one first.
3. Replace the ribbon, re-close the printer cover.
4. Press on the control panel push button.

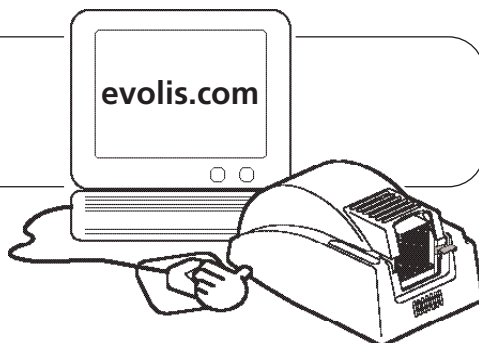
To prevent card jams :

1. Ensure that the thickness of the card used corresponds to the specifications given in the "Specifications" chapter.
2. Check that the cards are not bulging.
3. Ensure that the cards are not stuck together.

3. Customer Assistance

If the suggestions given in the previous section do not enable the problem(s) to be resolved, contact your retailer or one of the Evolis help departments.

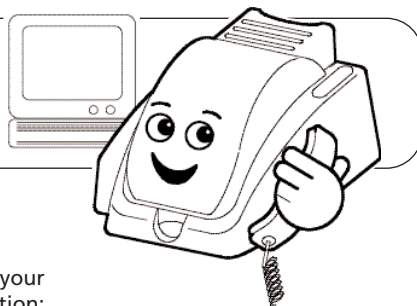
Evolis Internet site



At the Evolis Internet site you will find technical information about the:

- printers,
- printer drivers,
- software,
- consumables and accessories.

Contacting an Evolis retailer



When you call an Evolis retailer, you must be near your computer and be ready to supply the following information:

- The type and the serial number of your printer
- The type of configuration and the operating system which you are using
- A description of the incident that occurred
- A description of the steps which you have taken to resolve the problem

Printing a test card enables certain technical information appropriate to your printer to be recorded. We recommend that you print it at the initial use and keep it to hand.

5

Chapter 5

Specifications

Printing Mode	Thermal Transfer and Sublimation Edge-to-edge printing as standard
Printing Speed	140 cards/hour in color 600 cards/hour in mono color
Resolution	300 DPI
Cover colors	Choice of 3 colors: Glacier, Lagoon or Ruby
Software supplied	eMedia: design and editing software for plastic cards. Version 32 bits, compatible with Windows™ 95 / 98 / Me / NT 4.0 / 2000 and Xp
Windows™ drivers	For Windows™ 95 / 98 / Me / NT 4.0 / 2000 and Xp
Warranty	Printer: 2 years Print head: 2 years, unlimited number of prints ¹
Ribbon Type	5 Panel Color Ribbon (YMCKO): 200 cards/roll 2 Panel Monochrome Ribbon (black TT + varnish): 500 cards/roll Mono Color Ribbon: 1000 cards/roll
Other printer models	New Pebble MAG <i>Printer with HICO / LOCO Magnetic Stripe Encoder– ISO 7811</i> New Pebble SMART <i>Printer with Smart Card Contact Station – ISO 7816-2</i>
Card Types	All PVC and Composite PCV cards
Card Format	ISO CR-80 – ISO 7810 (53.98mm x 85.60mm) ISO CR-90 (60.33mm x 92.07mm) optional
Card Thickness	0.25mm (10mil) to 1mm (40mil)
Card Feeder Capacity	300 cards (0.25mm-20mil) 100 cards (0.76mm-30mil)
Card Output Hopper Capacity	90 cards (0.25mm-20mil) 30 cards (0.76mm-30mil)
Printer Size	Height: 186mm Width: 225mm Depth: 386mm
Printer Weight	6.8kg
Communication Interface	Centronics Parallel (cable supplied) USB port optional (cable supplied)
Electrical	110~230 Volts CA, 60~50 Hertz
Environmental	Min / Max operating temperatures: 15°C / 30°C Humidity: 20% to 65% non-condensing Min / Max storage temperatures: -5°C / +70°C Storage humidity: 20% to 70% non-condensing Operating ventilation: free air

¹ – Clause governing the use of Evolis consumables

6

Chapter 6

Evolis warranty

1. *Extent of the warranty*

1. Evolis warrants its products, to the end customer, against all manufacturing defects for a limited period of two years starting from the date of purchase by the customer. The customer must be able to supply proof of the purchase or the registration of the product.
2. Evolis warrants the print head for a period of two years only on condition of the use of Evolis ribbons, standardized cards and of adequate maintenance.
3. The Evolis limited warranty only covers problems occurring during normal use of the product and does not apply in the following cases :
 - a. Poor maintenance of the printer
 - b. Unauthorised technical modification of the printer
 - c. Use of interfaces not supplied by Evolis
 - d. Use of non authorized materials
 - e. Use outside the specified conditions.
4. Concerning the software products, this warranty only applies to the medium on which the product has been recorded. Evolis does not warranty that these products will work continuously or fault-free.
5. If a breakdown or damage occur, caused by the use of ribbons with a trademark other than Evolis, Evolis will invoice the customer for the repair of the breakdown or damage at the standard price list of the labour and of the replacement parts.
6. If, during the warranty period, Evolis is notified of a plastic card or ribbon manufacturing defect, Evolis will replace the defective product. If, during the warranty period, Evolis is notified of a hardware fault, Evolis will repair or replace the product in question, at its discretion.
7. If, depending on the circumstances, Evolis is unable to repair or replace the defective product covered by the warranty, Evolis will reimburse its purchase price within a reasonable time, on rapid return of the product.
8. Evolis is not under any obligation to repair, replace or reimburse if the customer has not returned the defective product.
9. The replacement product can be new or second-hand, if its functionality is at least the equivalent of the original product that it replaces.

2. After Sales Service in the warranty period

In the event of hardware breakdown, and after agreement, Evolis offers the following assistance options:

- **Evolis authorized Retailer** : send the printer to an Evolis authorized retailer.
- **Evolis authorized service provider**: send the printer to an Evolis authorized after sales service.

Do not forget to enclose proof of purchase with each dispatch.

WARNING !

The customer is responsible for all damage sustained due to inadequate packaging when returning goods. As far as possible, re-use the original packaging.

3. After Sales Service outside the warranty period

In the event of breakdown outside the warranty period, contact your Evolis authorized retailer or an Evolis authorized service provider. If you have taken out a maintenance contract, Evolis will repair the hardware in accordance with the clauses of the contract.

7

Chapter 7

Supplies

Evolis has a choice of ribbons and various accessories. You will find below the list of supplies available from your authorized Evolis retailer.

Mono Color Ribbons

Black Monochrome Ribbon 1000 cards/ribbon	Ref. R2001
Blue Monochrome Ribbon 1000 cards/ribbon	Ref. R2002
Red Monochrome Ribbon 1000 cards/ribbon	Ref. R2003
Green Monochrome Ribbon 1000 cards/ribbon	Ref. R2004
White Monochrome Ribbon 1000 cards/ribbon	Ref. R2005
Gold Monochrome Ribbon 1000 cards/ribbon	Ref. R2006
Silver Monochrome Ribbon 1000 cards/ribbon	Ref. R2007
Scratch Off Monochrome Ribbon 1000 cards/ribbon	Ref. R2008

Multi-Panel Ribbons

5 Panel Color Ribbon - YMCKO 200 cards/ribbon	Ref. R3001
2 Panel Ribbon – Black TT + Varnish 500 cards/roll	Ref. R3002

Accessories

UltraClean Cleaning Kit 25 Pre-Saturated Cleaning Cards, 5 Swabs, 1 box of 40 Pre-Saturated Cleaning Cloths	P/N. A5001
PrinterClean Cleaning Kit 50 Pre-Saturated Cleaning Cards – individual pouch	P/N. A5002
HeadClean Cleaning Kit Case of 10 Swabs	P/N. A5003
DustClean Cleaning Kit Box of 40 Pre-Saturated Cleaning Cloths	P/N. A5004

Printer Options

MAG Option HICO – LOCO Magnetic Stripe Encoder	P/N. O7001
Oversized Card Option Option Kit for CR-90 Card Format (60.33mm x 92.07mm)	P/N. O7002
USB Option USB Printer Interface (included cable – Type A-B)	P/N. O7004

Software

eMedia Pro Software Card Design and Editing Software to connect databases (ODBC, MS ACCESS, SQL Server, ORACLE) Compatible with Windows™ 95/98/Me/NT 4.0/2000 and Xp	P/N. L8001
--	------------

A

Appendix A

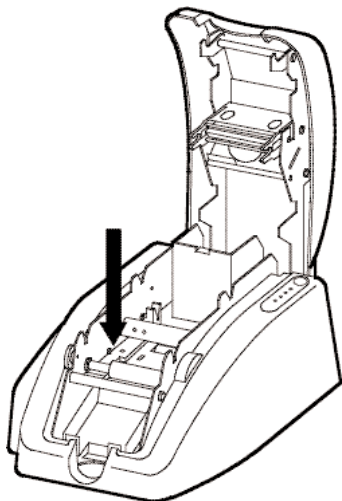
Magnetic Encoding

Introduction

New Pebble printers equipped with a magnetic strip encoder are known as New Pebble MAG printers. The way that a New Pebble MAG printer works is identical to that of a New Pebble printer. The magnetic encoder encodes ISO strips 1, 2 and 3 in a single movement before carrying out data verification.

New Pebble MAG printer encoders can be set for high coercivity (HICO) or for low coercivity (LOCO) simply by clicking on the Windows driver, but they leave the factory set by default for high coercivity (HICO), unless specifically requested otherwise when ordering.

1. Position of the magnetic encoder

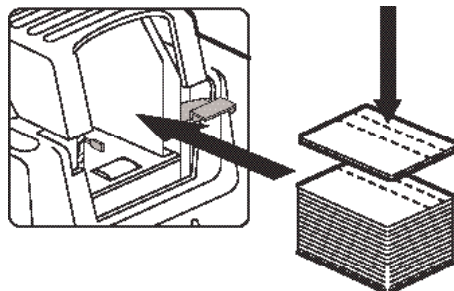


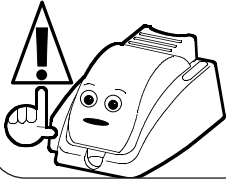
The magnetic encoder is a unit fitted in New Pebble MAG printers in the factory. The read/write head is positioned below the path taken by the cards and after the print head.

NOTE: the encoding sequence of a card is always performed before a print session.

2. Position of cards

The magnetic strip cards must be installed in the feeder in such a way that the magnetic strip is on the underside and as close as possible to the back of the printer (see opposite):





IMPORTANT !

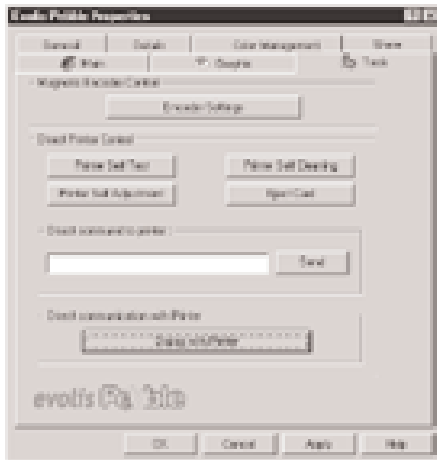
Use only magnetic strip cards that comply with ISO Standards 7810 and 7811.

In order to function correctly, the magnetic strip must be moulded to the card.

Never use a card with a glued magnetic strip.

3. Setting Windows Driver

During the first installation of the Windows Driver, it is essential to define the functions of the magnetic encoder.



"Encoder Settings" Button

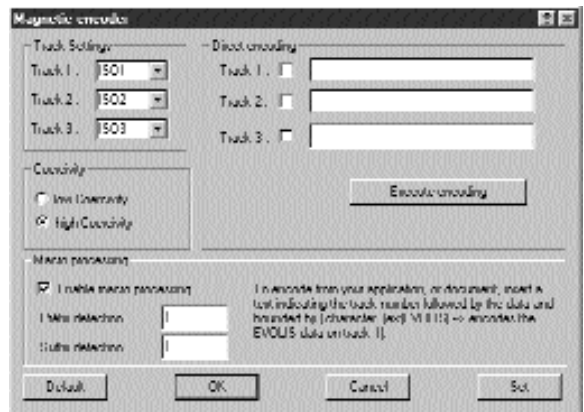
The magnetic encoder functions are accessible via the "Tools" dialogue box of the Windows driver by clicking on the "Encoder Settings" button.

"Magnetic Encoder" dialogue box

The "Magnetic Encoder" dialogue box is opened by selecting the "Encoder Settings" button.

Track Settings allows the ISO Standard desired for each strip to be selected. **ISO1** accepts up to 76 alphanumeric characters, from A to Z and from 0 to 9 as well as the ASCII characters between 20 and 95.

ISO2 accepts up to 37 numeric characters from 0 to 9 as well as the ASCII characters between 48 and 62.



ISO3 accepts up to 104 numeric characters from 0 to 9 as well as the ASCII characters between 48 and 62.

Coercivity defines the magnetic encoder at high or low coercivity. An encoded magnetic strip at high coercivity is more resistant to exterior disturbances than an encoded magnetic strip at low coercivity.

Direct Encoding allows the magnetic strips to be directly encoded using this window.

Enable Macro processing allows magnetic strip cards to be encoded from Windows applications. A text field delimited by the characters " | " and " | " (or other characters may be defined by the user) will be interpreted as an encoding command by the driver.

4. Cleaning of magnetic encoder

The head of the magnetic encoder requires regular maintenance in order to ensure the integrity of the encoded data on the cards.

The cleaning of the magnetic encoder is carried out by running an auto – cleaning sequence with the pre-saturated cleaning cards (see Chapter 3 of this manual for more detailed information).

The repeated passage of the cleaning card within the printer cleans the card transport rollers, the dust roller and the print head as well as the read/write head of the magnetic encoder.

If, between two printer cleaning sessions (all of the 1000 cards inserted), the read/write process has failed with more than one card, it is recommended to launch a printer cleaning sequence manually (see Chapter 3 of this manual for the relevant procedure).

B

Appendix B

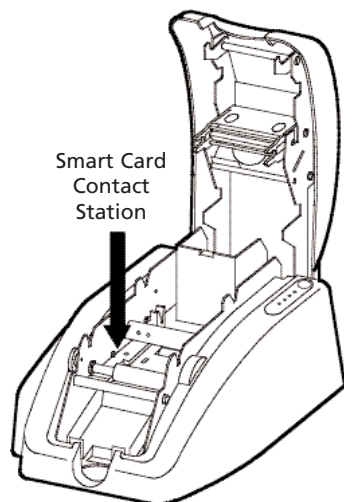
Smart Card Contact Station

Introduction

New Pebble printers equipped with a Smart Card Contact Station are known as New Pebble SMART. The way that a New Pebble SMART printer works is identical to that of a New Pebble printer.

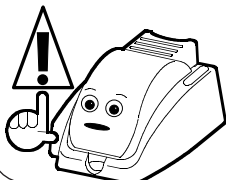
The Smart Card Contact Station allows to program the ISO 7816 chips.

1. Position of the Smart Card Contact Station



The Smart Card Contact Station is a device fitted in New Pebble SMART printers in the factory. The contact station is positioned above the path taken by the cards, after the print head.

NOTE : the personalisation of a chip is always performed before a printing session.



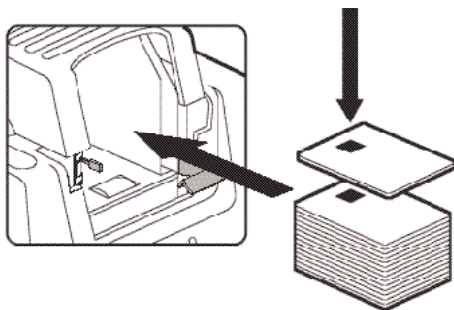
IMPORTANT !

Use only Smart Cards that comply with ISO Standard 7816-2.

Do not print on the chip of the card.

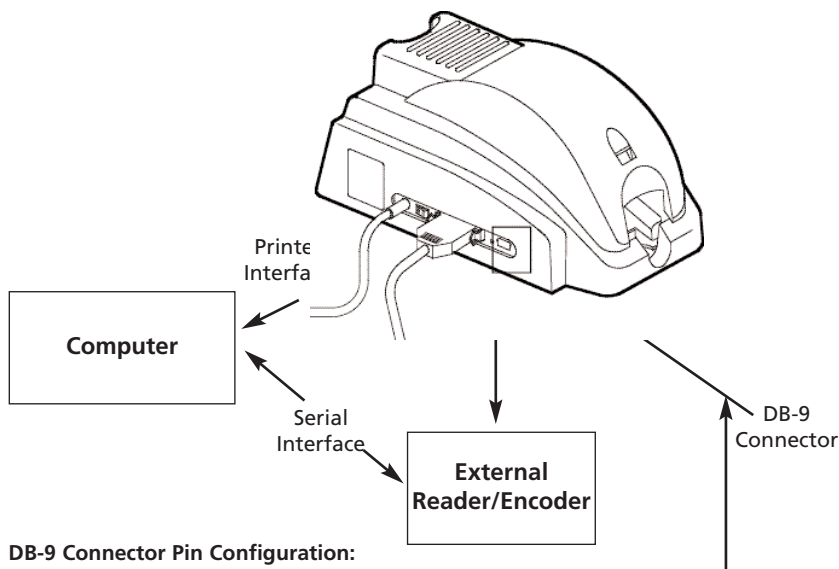
2. Orientation of the cards

The Smart Cards must be installed in the feeder with the chip on top with the chip first (see opposite).



3. Smart Card Contact Station Interface

The New Pebble SMART Printer is equipped with a DB-9 connector at the back of the printer. This connector, which is directly linked to the Smart Card Contact Station inside the printer, is to be linked to an external reader/encoder to program the chip.



DB-9 Connector Pin Configuration:

DB-9 Pins	Contacts on Smart Card
1	C1 (V c.c.)
2	C2 (reset 0)
3	C3 (clock)
4	C4 (reserved)
5	C5 (ground)
6	C6 (Vpp)
7	C7 (E-S)
8	C8 (reserved)
9	C9 Ground when the chip is commutated to the station

A command needs to be sent via the printer interface to insert the card inside the printer and to position it under the Smart Card Contact Station.

The command is described as follow:

Sis = Moves the card to the direction of the Contact Station and stops underneath.

A contact is established between the chip and the Contact Station.

Remark: please see the Programming Guide of the New Pebble Printer for more complete information about programming.

